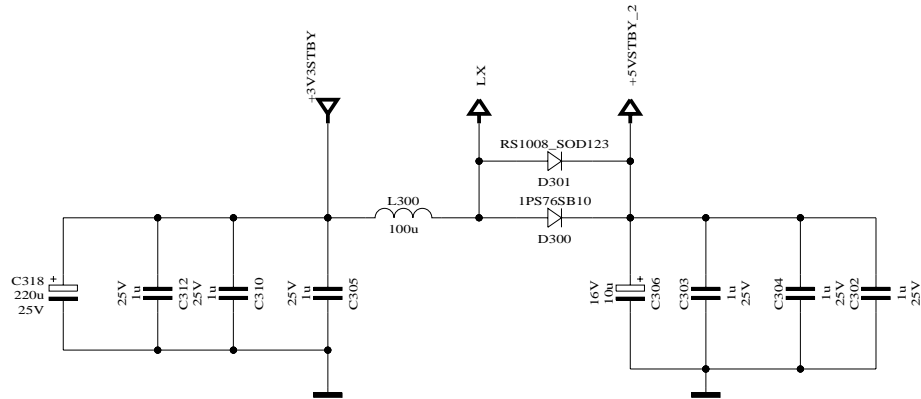
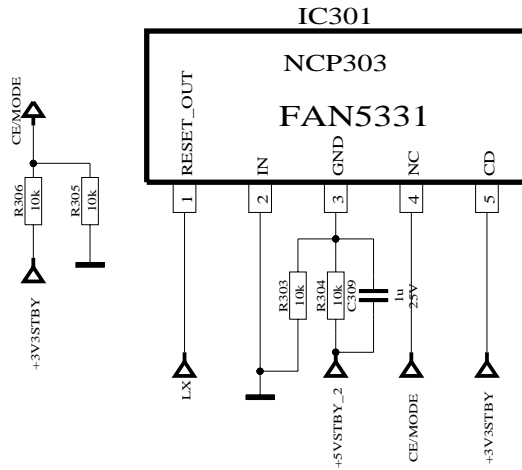
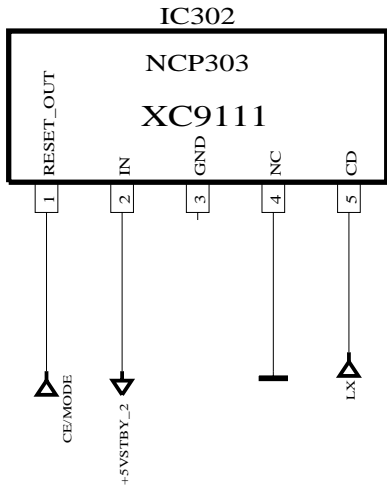


17PW25-3 DC/DC CONVERTER 3V3 5V SECTION

Ver.	Author	DATE	Sheet
01	SMPS GROUP	03.06.2010	2/4

STEP UP DEVRELERI



17PW25-3 DC/DC CONVERTER 4V2 SECTION

Ver.

01

Author

SMPS GROUP

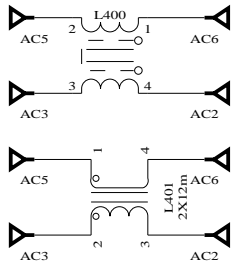
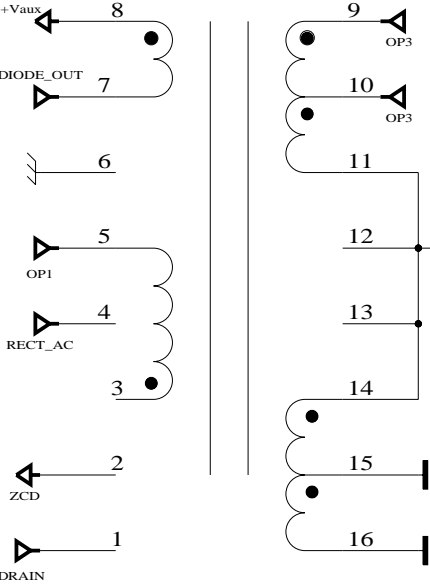
DATE

03.06.2010

Sheet

3/4

TRF_SMPS_SAFE_EE5154_26_32



TR400

